

4

3

2

1

F

F

E

E

D

D

C

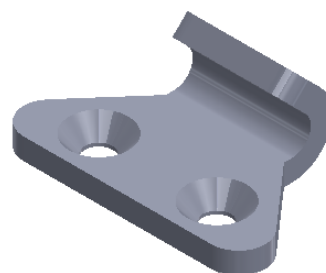
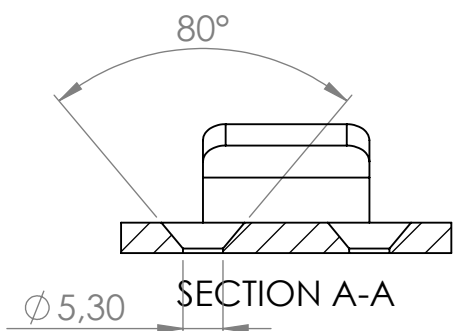
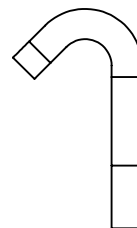
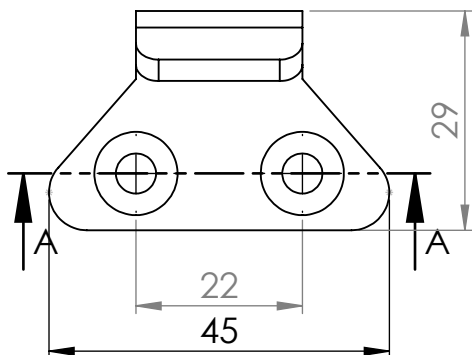
C

B

B

A

A



FINISH:

Zinc Plated

DEBURR AND  
BREAK SHARP  
EDGES

REVISION

OJOP Sweden AB

	NAME	SIGNATURE	DATE	
DRAWN	RR		30/5 - 17	
CHKD	PR		13/7 - 17	
APPVD	XXXX		XXXX	
MFG	XXXX		XXXX	
Q.A	XXXX		XXXX	
			MATERIAL:	
			SS 1142-20	
			WEIGHT: 0,033 KG	

TITLE:

522831 - Striker 41  
C ZP

DWG NO.

522831 - Striker 41 C ZP

A4

SCALE:1:1

SHEET 1 OF 1

4

3

2

1