

4

3

2

1

F

F

E

E

D

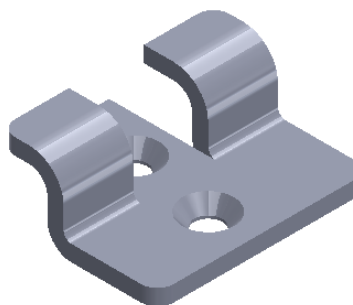
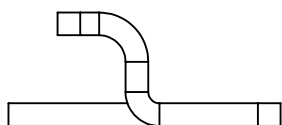
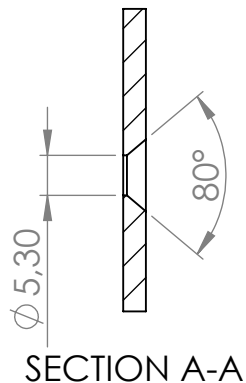
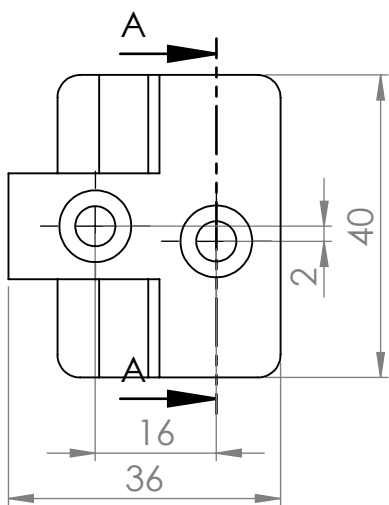
D

C

C

B

B



FINISH:
Untreated

DEBURR AND
BREAK SHARP
EDGES

REVISION

OJOP Sweden AB

	NAME	SIGNATURE	DATE	
DRAWN	RR		29/5 - 17	
CHK'D	PR		18/8 - 17	
APPV'D	XXXX		XXXX	
MFG	XXXX		XXXX	
Q.A	XXXX		XXXX	
				MATERIAL: SS 2343
				WEIGHT: 0,031 KG

TITLE:
**54423 - Striker 16 C
Stainless**

DWG NO.
54423 - Striker 16 C Stainless

A4

SCALE:1:1

SHEET 1 OF 1

4

3

2

1

A

A