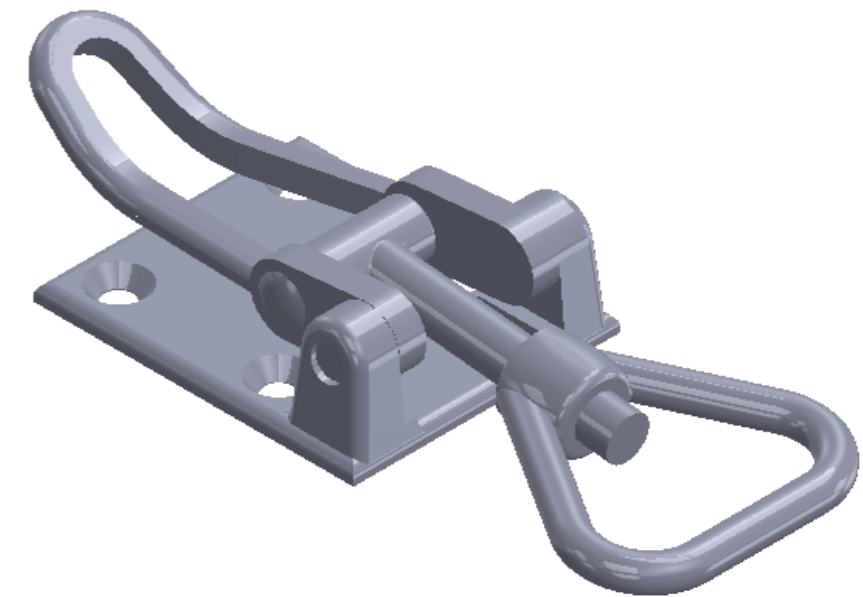
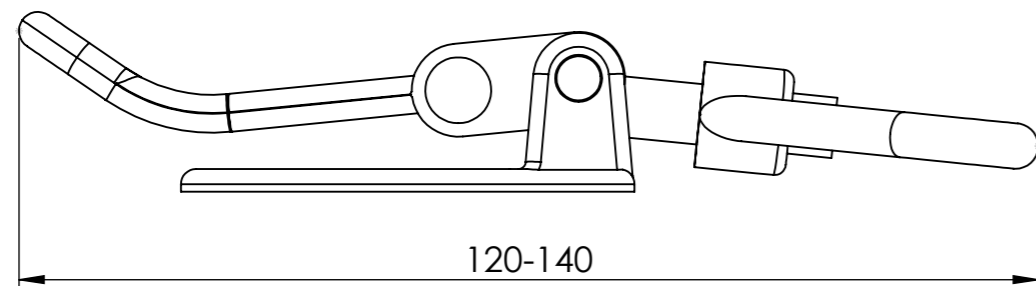



SECTION A-A



ITEM NO.	PART NUMBER	QTY.
1	404-504 - Baseplate C	1
2	Bracket 3	1
3	Hollow rivet 6x32	1
4	Loop 3	1
5	Adjustable screw M8	1

	FINISH: Chrome passivated		DEBURR AND BREAK SHARP EDGES	DO NOT SCALE DRAWING	REVISION 01																	
	<table border="1"> <thead> <tr> <th>NAME</th> <th>SIGNATURE</th> <th>DATE</th> </tr> </thead> <tbody> <tr> <td>DRAWN RR</td> <td></td> <td>1/6 - 17</td> </tr> <tr> <td>CHK'D PR</td> <td></td> <td>30/8 - 17</td> </tr> <tr> <td>APPV'D XXXX</td> <td></td> <td>XXXX</td> </tr> <tr> <td>MFG XXXX</td> <td></td> <td>XXXX</td> </tr> <tr> <td>Q.A XXXX</td> <td></td> <td>XXXX</td> </tr> </tbody> </table>			NAME	SIGNATURE	DATE	DRAWN RR		1/6 - 17	CHK'D PR		30/8 - 17	APPV'D XXXX		XXXX	MFG XXXX		XXXX	Q.A XXXX		XXXX	OJOP Sweden AB TITLE: 510919 - 504 C Chrome
NAME	SIGNATURE	DATE																				
DRAWN RR		1/6 - 17																				
CHK'D PR		30/8 - 17																				
APPV'D XXXX		XXXX																				
MFG XXXX		XXXX																				
Q.A XXXX		XXXX																				
MATERIAL: Forged SS 2172			DWG NO. 510919 - 504 C Chrome	A3																		
WEIGHT: 0,200 KG			SCALE:1:1	SHEET 1 OF 1																		