

8 7 6 5 4 3 2 1

F

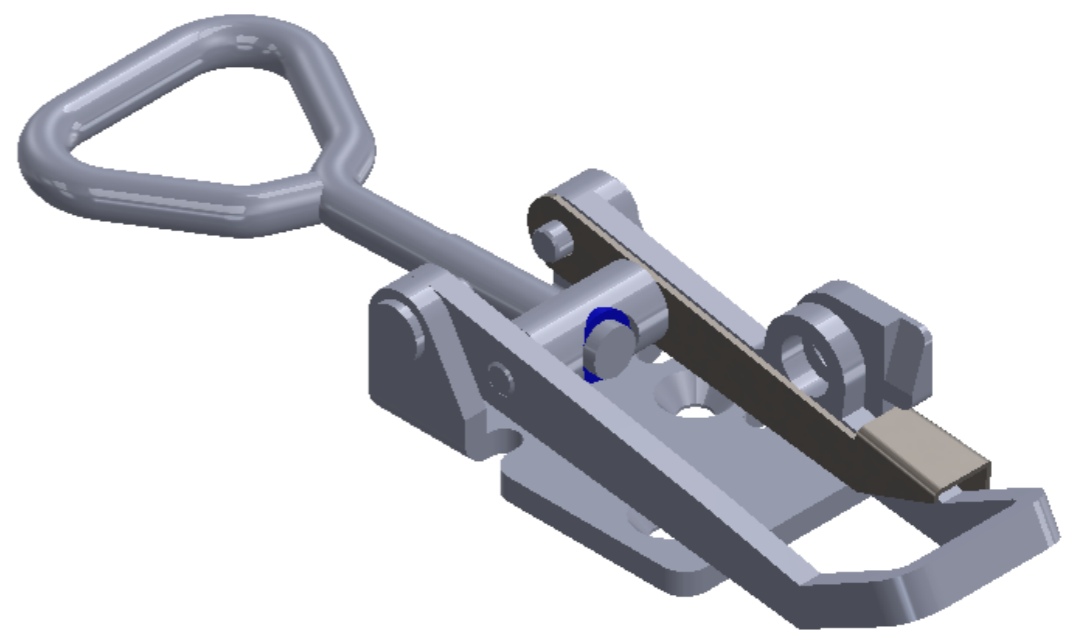
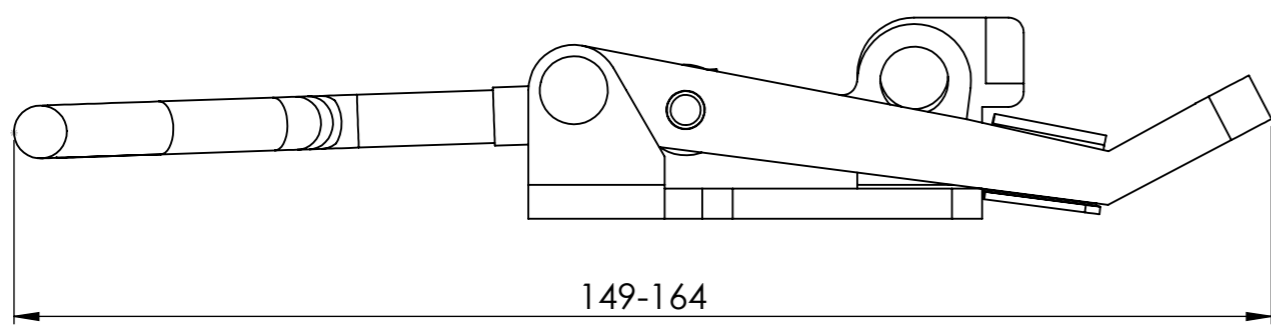
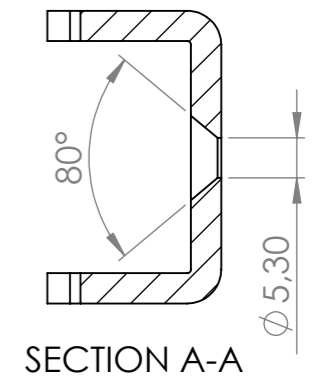
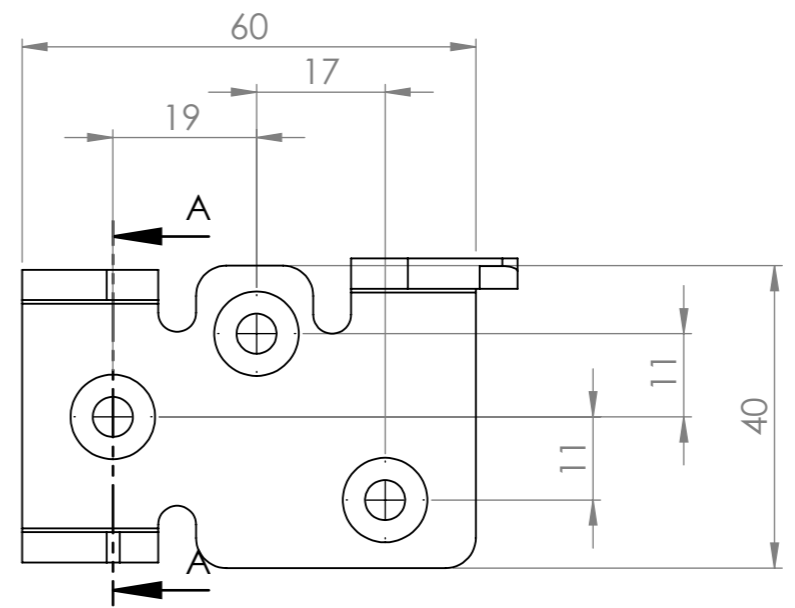
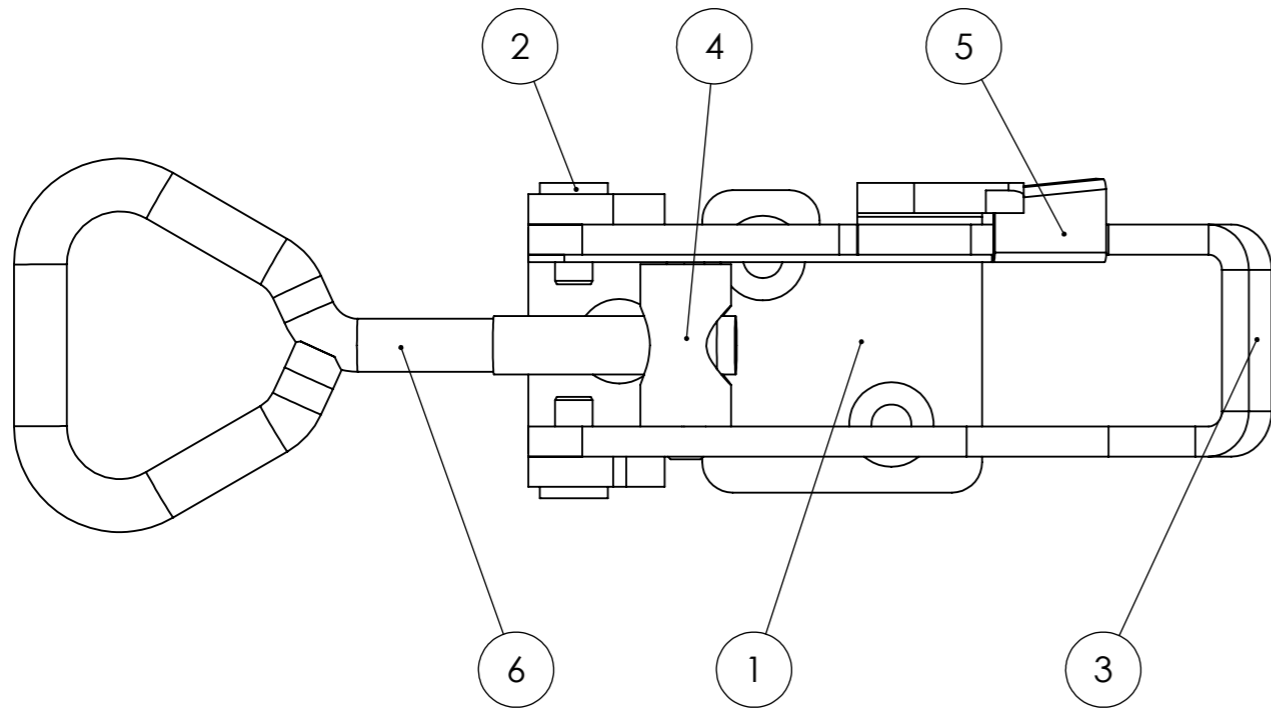
E

D


C

B

A



ITEM NO.	PART NUMBER	QTY.
1	704 - Baseplate LC	1
2	704 - Rivet	2
3	704 - Handle	1
4	704 - Mid Cylinder Friction ring	1
5	704 - Safety Catch	1
6	703 - Screw loop	1

	FINISH: Zinc Plated		DEBURR AND BREAK SHARP EDGES	DO NOT SCALE DRAWING	REVISION 01																	
	<table border="1"> <tr> <th>NAME</th> <th>SIGNATURE</th> <th>DATE</th> </tr> <tr> <td>DRAWN RR</td> <td></td> <td>17/5 - 17</td> </tr> <tr> <td>CHK'D PR</td> <td></td> <td>13/7 - 17</td> </tr> <tr> <td>APPV'D XXXX</td> <td></td> <td>XXXX</td> </tr> <tr> <td>MFG XXXX</td> <td></td> <td>XXXX</td> </tr> <tr> <td>Q.A XXXX</td> <td></td> <td>XXXX</td> </tr> </table>			NAME	SIGNATURE	DATE	DRAWN RR		17/5 - 17	CHK'D PR		13/7 - 17	APPV'D XXXX		XXXX	MFG XXXX		XXXX	Q.A XXXX		XXXX	TITLE: 520961 - 704 LC ZP Friction screw loop
NAME	SIGNATURE	DATE																				
DRAWN RR		17/5 - 17																				
CHK'D PR		13/7 - 17																				
APPV'D XXXX		XXXX																				
MFG XXXX		XXXX																				
Q.A XXXX		XXXX																				
MATERIAL: S355MC			DWG NO. 520961 - 704 LC ZP Friction screw loop		A3																	
WEIGHT: 0.235 KG			SCALE: 1:1		SHEET 1 OF 1																	

8 7 6 5 4 3 2 1