

4

3

2

1

F

F

E

E

D

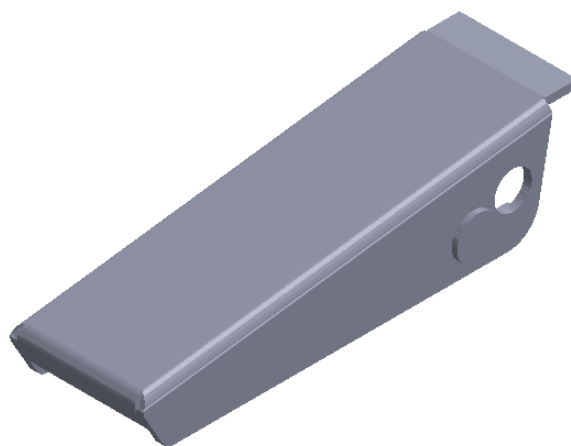
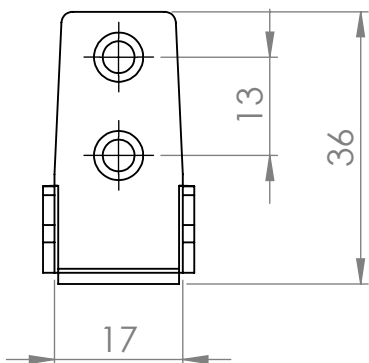
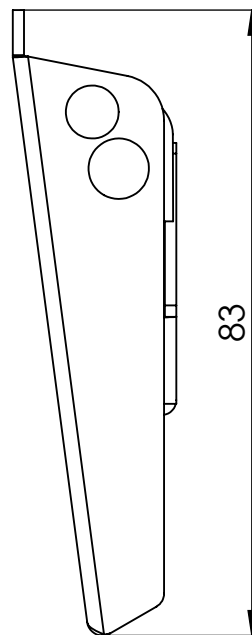
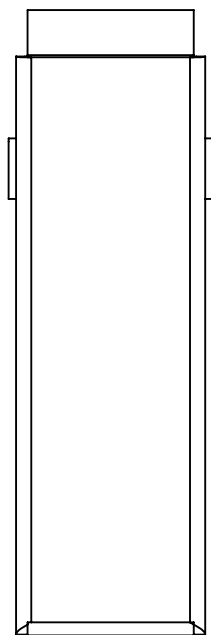
D

C

C

B

B



FINISH:

Zinc Plated

DEBURR AND
BREAK SHARP
EDGES

REVISION

OJOP Sweden AB

	NAME	SIGNATURE	DATE	
DRAWN	RR		18/5 - 17	
CHK'D	PR		30/8 - 17	
APPV'D	XXXX		XXXX	
MFG	XXXX		XXXX	
Q.A	XXXX		XXXX	
			MATERIAL:	
			SS 1142-20	
			WEIGHT: 0,079 KG	

TITLE:

56043 - 905 XC ZP

DWG NO.

56043 - 905 XC ZP

A4

SCALE:1:1

SHEET 1 OF 1

4

3

2

1

A

A