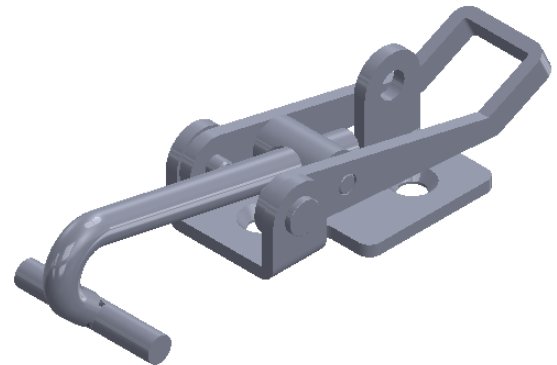
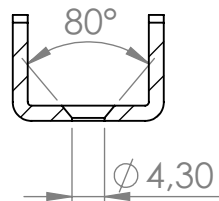


SECTION A-A



ITEM NO.	PART NUMBER	QTY.
1	701 - Baseplate LC	1
2	701 - Bracket	1
3	701 - Rivet	2
4	701 - Mid cylinder	1
5	Bent T-Screw M5	1



FINISH:
Chrome passivated

DEBURR AND
BREAK SHARP
EDGES

REVISION

OJOP Sweden AB

NAME	SIGNATURE	DATE
DRAWN RR		9/5 - 17
CHK'D PR		20/9 - 17
APPV'D XXXX		XXXX
MFG XXXX		XXXX
Q.A XXXX		XXXX

TITLE:
**5201219 - 701 BT
LC Chrome**

DWG NO.
5201219 - 701 BT LC Chrome

A4

MATERIAL:
DC01

WEIGHT: 0,041 KG

SCALE: 1:1

SHEET 1 OF 1