

4

3

2

1

F

F

E

E

D

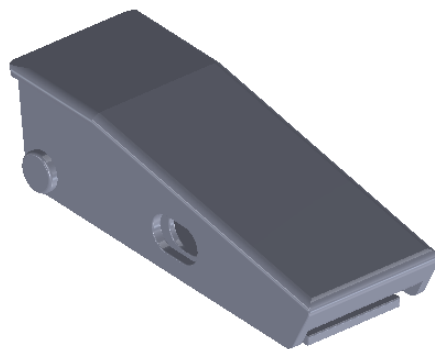
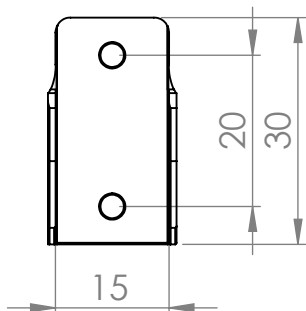
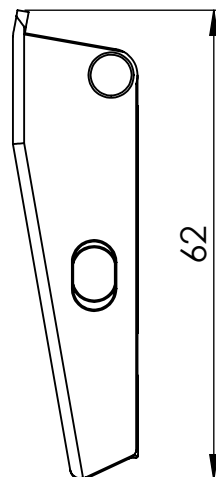
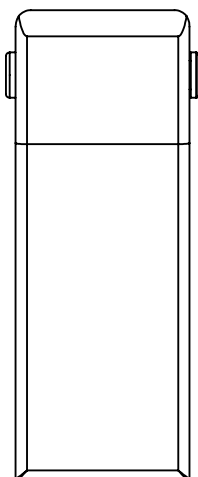
D

C

C

B

B



FINISH:  
Zinc Plated

DEBURR AND  
BREAK SHARP  
EDGES

REVISION  
OJOP Sweden AB

	NAME	SIGNATURE	DATE	
DRAWN	RR		18/5 - 17	
CHK'D	PR		30/8 - 17	
APPV'D	XXXX		XXXX	
MFG	XXXX		XXXX	
Q.A	XXXX		XXXX	
			MATERIAL:	
			SS 1142-20	
			WEIGHT: 0,048 KG	

TITLE:  
**56001 - 903 XB ZP**

DWG NO.  
56001 - 903 XB ZP

A4

SCALE:1:1

SHEET 1 OF 1

4

3

2

1

A

A