

4

3

2

1

F

F

E

E

D

D

C

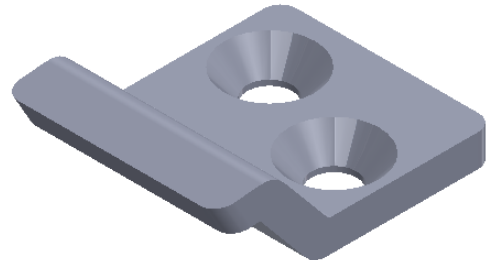
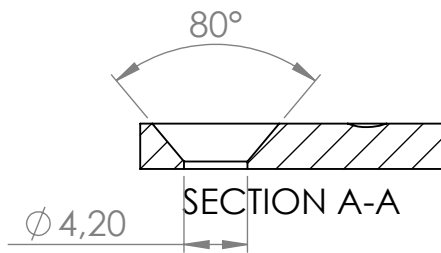
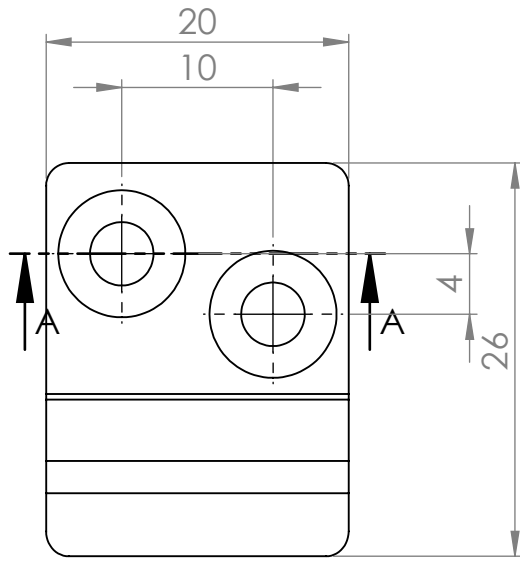
C

B

B

A

A



FINISH:  
Zinc Plated

DEBURR AND  
BREAK SHARP  
EDGES

REVISION

OJOP Sweden AB

	NAME	SIGNATURE	DATE	
DRAWN	RR		31/5 - 17	
CHKD	PR		22/8 - 17	
APPVD	XXXX		XXXX	
MFG	XXXX		XXXX	
Q.A	XXXX		XXXX	
			MATERIAL:	
			SS 1142-20	
			WEIGHT: 0,012 KG	

TITLE:  
**562301 - Striker 95  
C ZP**

DWG NO. 562301 - Striker 95 C ZP

A4

SCALE:2:1

SHEET 1 OF 1

4

3

2

1