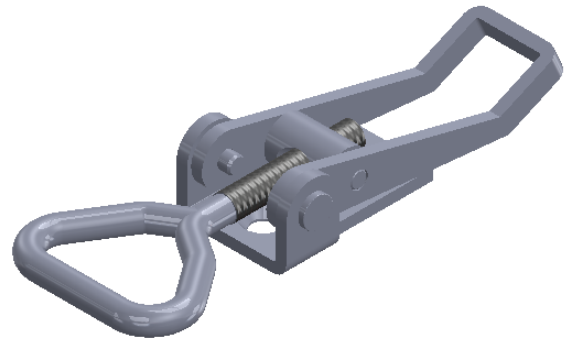
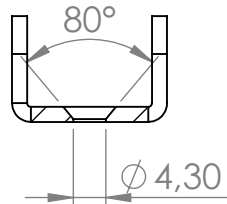


SECTION A-A



ITEM NO.	PART NUMBER	QTY.
1	701 - Bracket	1
2	701 - Mid cylinder	1
3	701 - Baseplate SC	1
4	701 - Rivet	2
5	701 - Screw loop	1



FINISH: Zinc Plated

DEBURR AND BREAK SHARP EDGES

REVISION

OJOP Sweden AB

TITLE: 52003 - 701 SC ZP

NAME	SIGNATURE	DATE
DRAWN RR		3/5 - 17
CHKD PR		13/7 - 17
APPV'D XXXX		XXXX
MFG XXXX		XXXX
Q.A XXXX		XXXX

MATERIAL: DC01

DWG NO. 52003 - 701 SC ZP

A4

WEIGHT: 0,037 KG

SCALE:1:1

SHEET 1 OF 1